

PARTS LIST

for

KitchenAid®

HOT WATER DISPENSER

MODEL

KHWL160PWH0

WH – White
CR – Chrome
SS – Stainless Steel

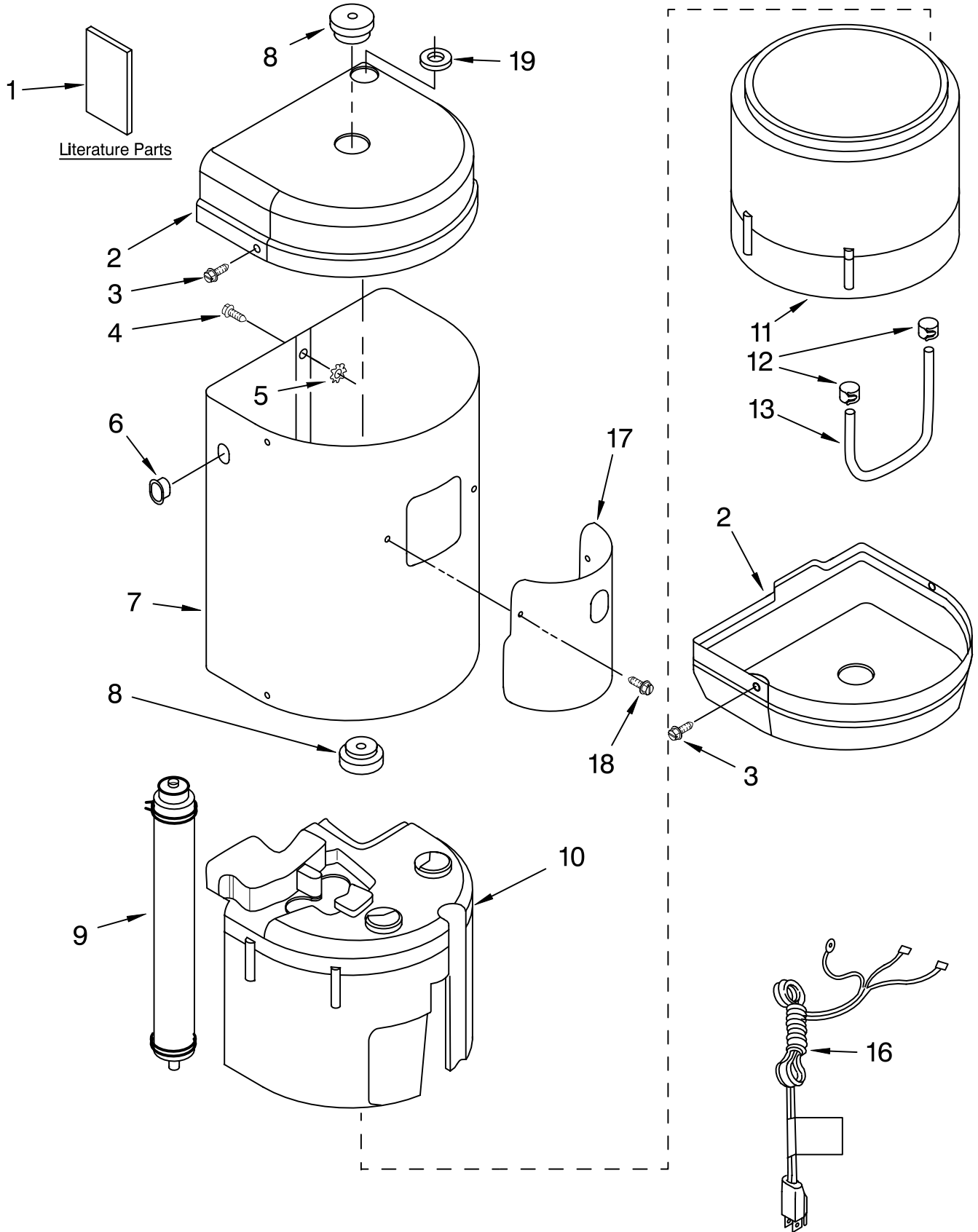


FOR CUSTOMER SATISFACTION ALWAYS USE
FACTORY SPECIFICATION PARTS



OUTER COVER & INSULATION PARTS

For Models: KHWL160PWH0, KHWL160PCR0, KHWL160PSS0
(White) (Chrome) (Stainless Steel)



FOR ORDERING INFORMATION REFER TO PARTS PRICE LIST

OUTER COVER & INSULATION PARTS

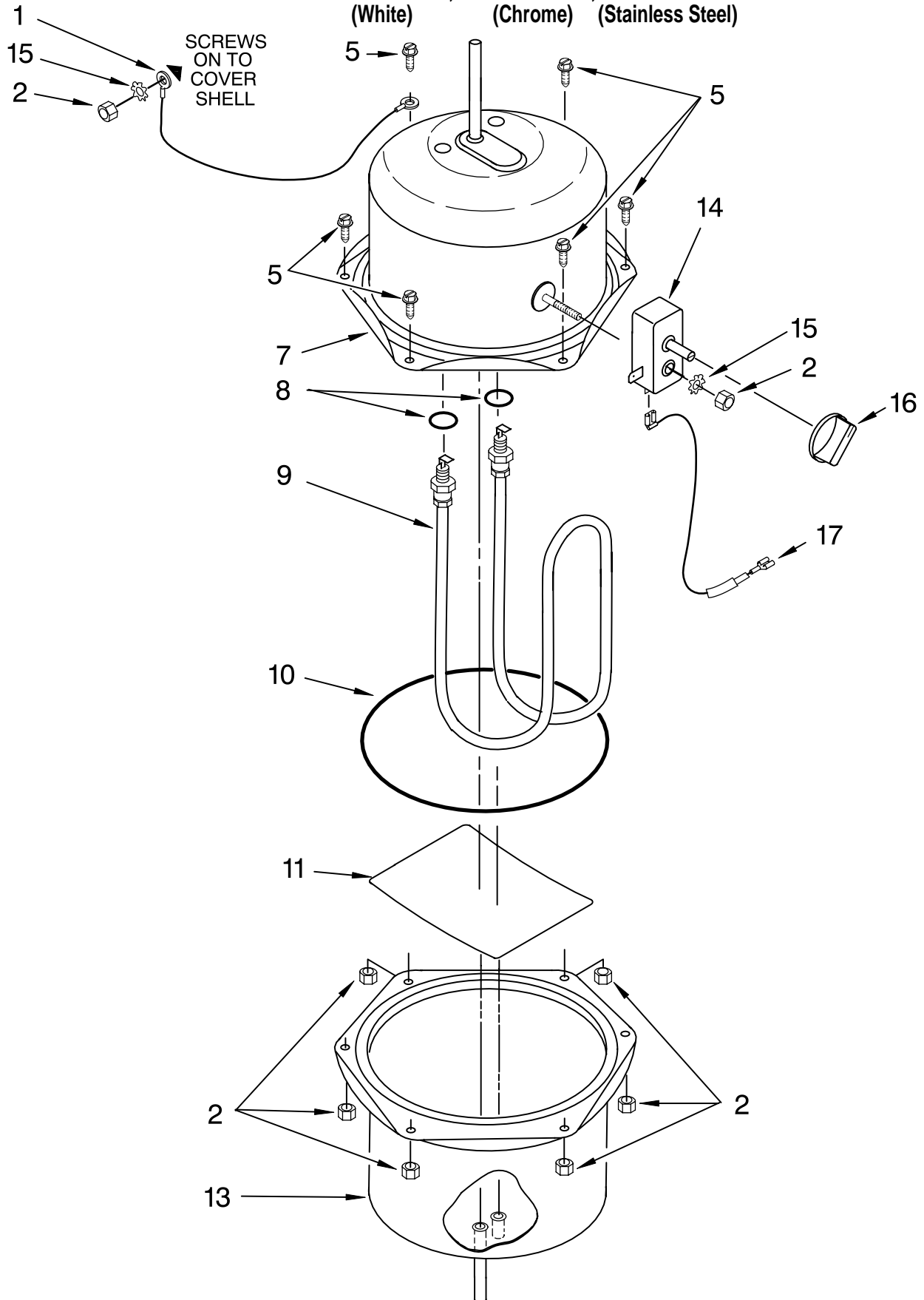
For Models: KHWL160PWHO, KHWL160PCRO, KHWL160PSS0
(White) (Chrome) (Stainless Steel)

| Illus. No. | Part No. | DESCRIPTION |
|-----------------------|---------------------|---|
| 1 | 8538287 | Literature Parts Instructions, Installation & Use & Care Guide |
| 2 | 3192031 | End Cap |
| 3 | 4169569 | Screw, Drive |
| 4 | 3192294 | Screw, Machine |
| 5 | 4159493 | Lockwasher |
| 6 | 3191431 | Strain Relief, Power Cord |
| 7 | 3193265 | Shell |
| 8 | 8534011 | Bushing, Molded |
| 9 | 3192006 | Displacer |
| 10 | 3192011 | Insulation, Top |
| 11 | 3192012 | Insulation, Bottom |
| 12 | 3400975 | Clamp, Hose |
| 13 | 8541031 | Hose, Clear |
| 16 | 3192352 | Cord, Power |
| 17 | 3192317 | Front Cover |
| 18 | 311932 | Screw, 6-32 X .250 |
| 19 | 3192013 | Grommet |

FOR ORDERING INFORMATION REFER TO PARTS PRICE LIST

UPPER & LOWER TANK SHELL

For Models: KHWL160PWH0, KHWL160PCR0, KHWL160PSS0
(White) (Chrome) (Stainless Steel)



FOR ORDERING INFORMATION REFER TO PARTS PRICE LIST

UPPER & LOWER TANK SHELL

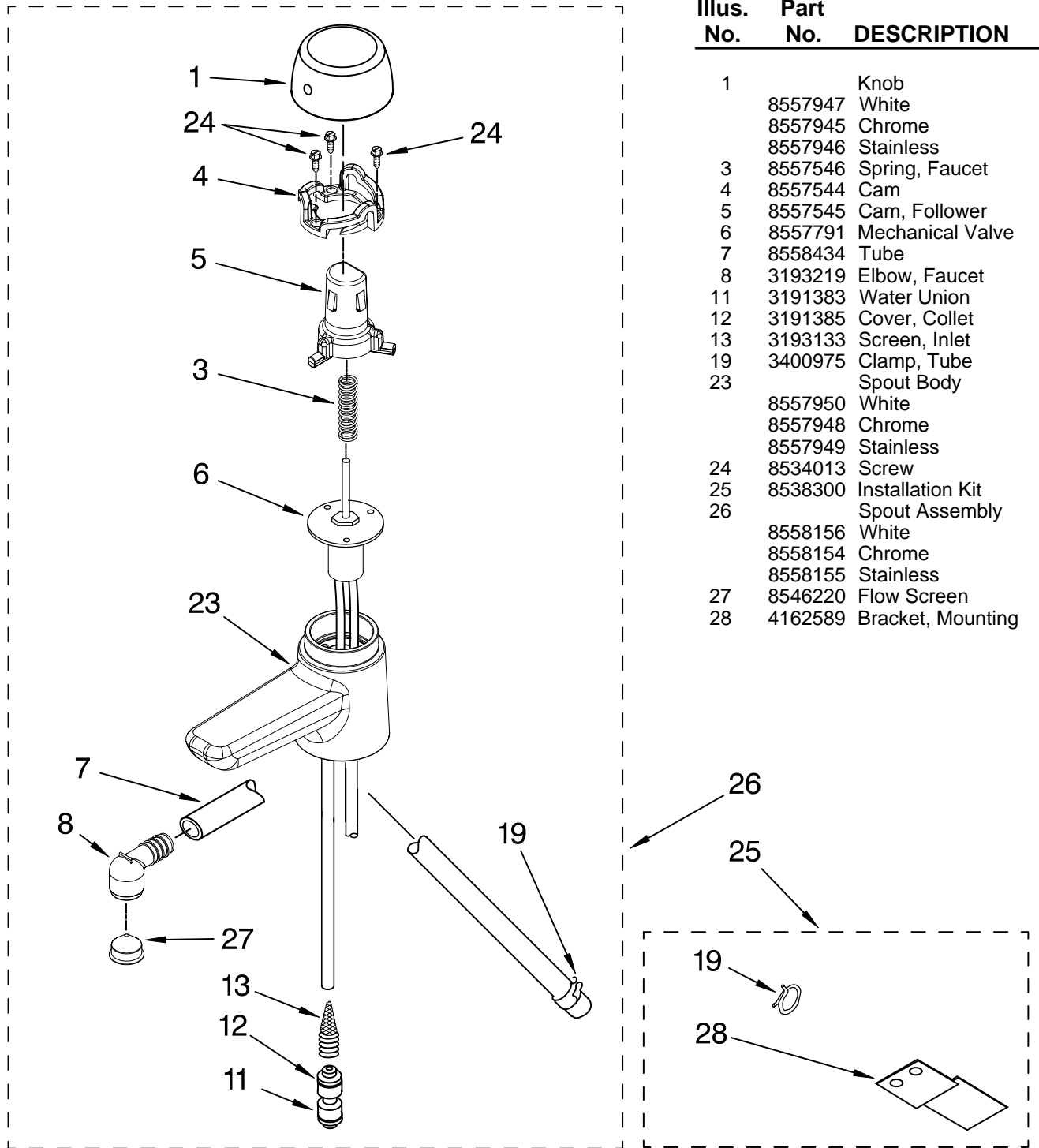
For Models: KHWL160PWH0, KHWL160PCR0, KHWL160PSS0
 (White) (Chrome) (Stainless Steel)

| Illus. No. | Part No. | DESCRIPTION |
|------------|----------|----------------------|
| 1 | 3192080 | Ground Wire |
| 2 | 4159072 | Nut |
| 5 | 3400829 | Screw |
| 7 | 3193068 | Shell, Tank Upper |
| 8 | 4159825 | O-Ring |
| 9 | 3191376 | Element, Heating |
| 10 | 4159824 | O-Ring |
| 11 | 4176126 | Deflector |
| 13 | 8565547 | Shell, Tank Lower |
| 14 | 3193512 | Thermostat |
| 15 | 4159493 | Lockwasher |
| 16 | 3192538 | Knob, Thermostat |
| 17 | 3193190 | Fuse, Thermo |

FOR ORDERING INFORMATION REFER TO PARTS PRICE LIST

SPOUT UNIT PARTS

For Models: KHWL160PWH0, KHWL160PCRO, KHWL160PSS0
(White) (Chrome) (Stainless Steel)



| Illus. No. | Part No. | DESCRIPTION |
|------------|----------|-------------------|
| 1 | 8557947 | Knob White |
| | 8557945 | Chrome |
| | 8557946 | Stainless |
| 3 | 8557546 | Spring, Faucet |
| 4 | 8557544 | Cam |
| 5 | 8557545 | Cam, Follower |
| 6 | 8557791 | Mechanical Valve |
| 7 | 8558434 | Tube |
| 8 | 3193219 | Elbow, Faucet |
| 11 | 3191383 | Water Union |
| 12 | 3191385 | Cover, Collet |
| 13 | 3193133 | Screen, Inlet |
| 19 | 3400975 | Clamp, Tube |
| 23 | | Spout Body |
| | 8557950 | White |
| | 8557948 | Chrome |
| | 8557949 | Stainless |
| 24 | 8534013 | Screw |
| 25 | 8538300 | Installation Kit |
| 26 | | Spout Assembly |
| | 8558156 | White |
| | 8558154 | Chrome |
| | 8558155 | Stainless |
| 27 | 8546220 | Flow Screen |
| 28 | 4162589 | Bracket, Mounting |

FOR ORDERING INFORMATION REFER TO PARTS PRICE LIST